



Quality Products. Service Excellence.

900-1300 BTU/H Indoor Air Conditioner *DTS Series*

Type 12, Side Mounting



Description

- Compact design for side mounting on any enclosure surface where hot spot cooling or low capacity cooling is required.
- Closed loop cooling ensures clean enclosure air is recirculated without ever mixing with contaminated ambient air.

Standards

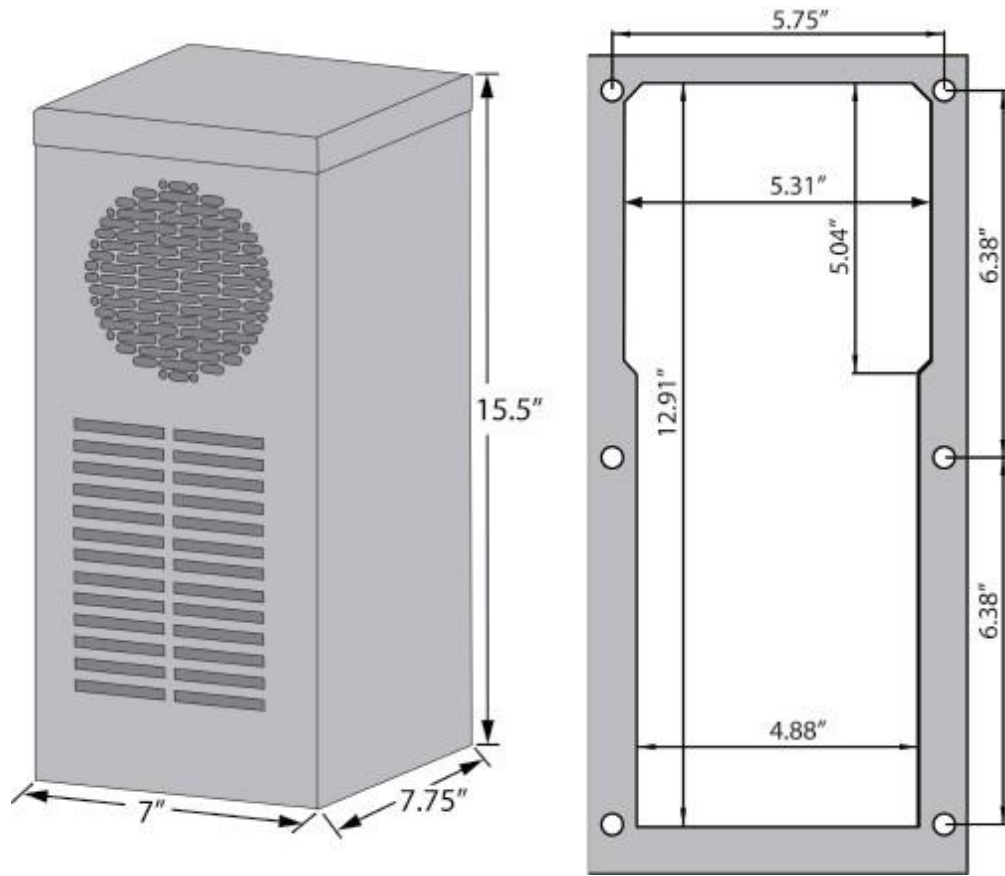
- Maintains enclosure's NEMA 12 rating
- IP 54
- UR, cUR and CE

Features

- R134a refrigerant.
- Thermostat control accessible from inside enclosure.
- Expansion valve increases efficiency with improved evaporator heat transfer and less frequent compressor operation.
- Direct condensate discharge via 1/4" NPT threaded port.
- Continuous air circulation from high capacity fans.
- EMI/RFI suppression meets CE.
- Door contact for power down when enclosure door is opened.
- Gasket, mounting kit and template for cutout and drilling are included.
- Washable aluminum mesh filter

Accessories

- Remote Door Switches
- Gasket Kits
- Condensate Bottle
- Filter Kits
- Water Condensate Evaporator



* For ANSI 61 Gray replace LG with GY

Part No.
DTS3021A115LG
DTS3021A230LG

Electrical Data	DTS3021A115LG	DTS3021A230LG
Rated Voltage	115 V 60 Hz	230 V 50/60 Hz
Range of Operation	103- 127 V	207-253 V
Power Consumption	325 W	315 W
Running Amps	3	2
Starting Current	10	5
Line Cord	With Plug	With Plug

Refrigeration Data	
Cooling Capacity +95/+95F +35/+35C	1194 BTU/h (350 Watts)
Type of Refrigerant	R134a
Refrigeration Charge	150 g
Adjustable Control Range	+50F..104F / +10C..+40C Factory setting +95F/+35C
Max Ambient Air Temp	+114F (+45C)
Min Ambient Air Temp	+46F (+8C)
Air Capacity (unrestricted)	Internal 38 CFM
	External 30 CFM
Condensation Discharge	Condensate Drain

Filter Mat	Aluminum Mesh
Db noise level	<64 db
Unit Weight	30 lbs (13.6kg)
Exterior Case	Galvanized sheet metal
Finish LG	RAL7035 light Gray
Finish GY	ANSI 61 Gray
Nema Rating	enclosures IP54 / NEMA 12

Data subject to change without notice

McAPS INCORPORATED